

# G400 4G

ONLINE LOCATION & ANTI-THEFT

Power Saving and Protection Acquy

The G400 has tracking capabilities. Turn on/ off phone remote anti-theft protection and automatic anti-forgetting turn off the Smartkey lock knob for effective battery protection, anti-theft & power saving.

Intelligent positioning & anti-theft solution >>



## INTRODUCTION

### THE TRACKING DEVICE G400

G400 is a compact 4G LTE GPS tracker, exquisite & aesthetically pleasing design, can be installed discreetly to manage a variety of vehicles. The ability to turn on/ off anti-theft protection and anti-theft remote unlimited km by phone.

LTE communication and advanced GPS antennas provide powerful signal transmission/ reception, fast processing speed increases the ability to locate more accurately. In addition to standard features such as GPS location, schedule and speed, warning to enter/exit the set surveillance barrier, G400 also has the ability to alert when the car is unlocked, automatically turn off the Smartkey lock knob when it is forgotten to increase the anti-theft efficiency and save the battery. Quickly find a vehicle on Google Maps. Along with many other optimizations help save energy and protect the Acquy tank.

## BASIC FEATURES OF G400



**4G & LTE COMMUNICATION**  
Data transmission over 4G/LTE



**ANTI-THEFT**  
Turn on defense, Turn off defense anti-theft remotely via App



**ALERTS WHEN THE VEHICLE IS UNLOCKED**  
Warning when thieves break the lock



**AUTOMATICALLY PREVENT FORGETTING TO TURN OFF THE SMARTKEY LOCK KNOB**  
Anti-theft & power saving battery Acquy



**WARNING VEHICLES AWAY FROM THE SURVEILLANCE FENCE**  
Track vehicle entering/ exiting the established surveillance barrier



**POWER SAVING**  
Equipment with very low power consumption



**BATTERY PROTECTION**  
Automatically disconnect from mains power when battery power is low



**INSTRUCT TO FINDING A VEHICLE ON THE MAP**  
Instruct to find the vehicle location on the map quickly

## ADVANCED FEATURES OF G400



### Battery Power Monitoring

Monitor voltage, remind charging the battery when the vehicle is not working for a long time.



### Fast positioning latch speed

High sensitivity satellite positioning system, fast positioning latch speed, accurate positioning.



**IP65**  
Water & dust proof



### Turn off defense with Pin code

Unlock with PIN when the vehicle is offline.



### External power off warning (optional)

Alert via app when device disconnects external power



### Big Data Storage

Stored on signal loss up to 20,000 news



### Backup power (optional)

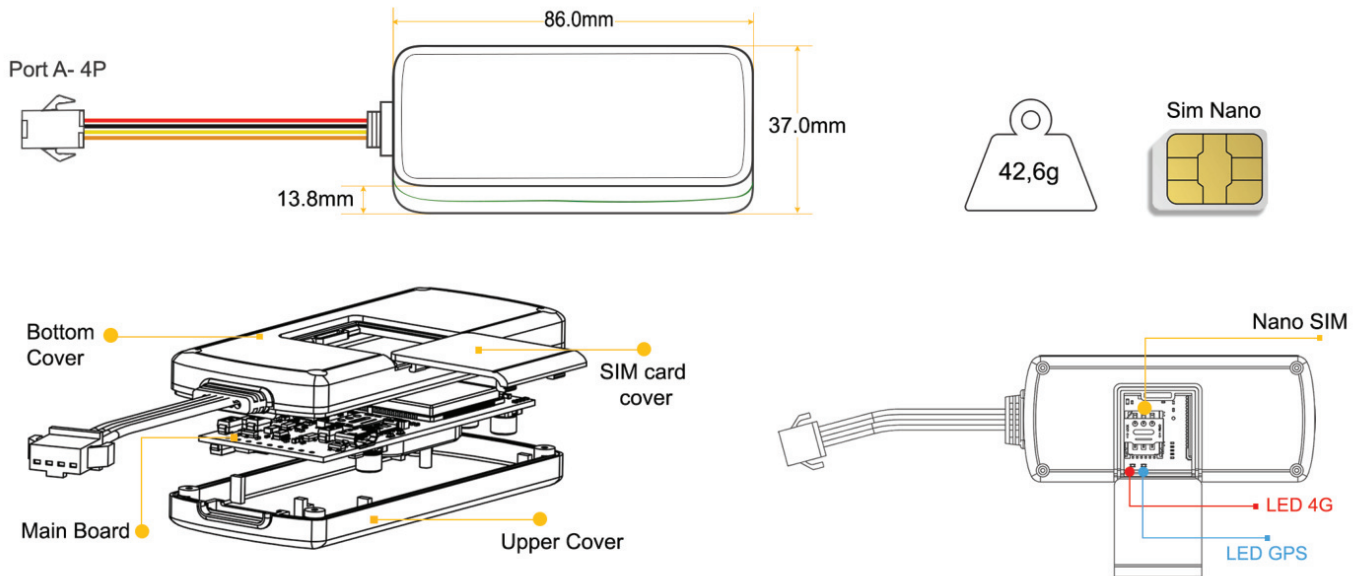
Redundant power keeps the device running stably when the external power is cut-off





### Upgrade as and when required.

Remote Firmware Update. Enhanced features on demand.


# CHARACTERISTICS AND STRUCTURE OF DEVICE




## LED INDICATOR

LED	Color	Status	Detailed Description
 SATELLITE	Blue	Slow blinking	Good signal, can update the location in real time
		Light without blinking	Detecting signal
		Quick blinking	GNSS module in sleep mode
 CONNECT INTERNET	Red	Slow blinking	Server connected successfully
		Light without blinking	Registered data network and data server connection in progress
		Quick blinking	Server connection failed

## STANDARD POWER CORD SIGNAL PORT

Port	Battery	Color	Detailed Description	Power cord bundle
Port A (4P)	ACC	Orange	Connect the vehicle's electric lock signal wire, positive	
	RELAY	Yellow	Connect to external RELAY to close/cut off the power supply for the vehicle	
	VDC_IN	Red	Connect to positive voltage 12/24VDC	
	GND	Black	Connect with Mass	
<p><i>* Note: ACC and RELAY wire colors apply to be read and determined on the power cord bundle. Not applicable at the tail rope on the body of the device.</i></p>				

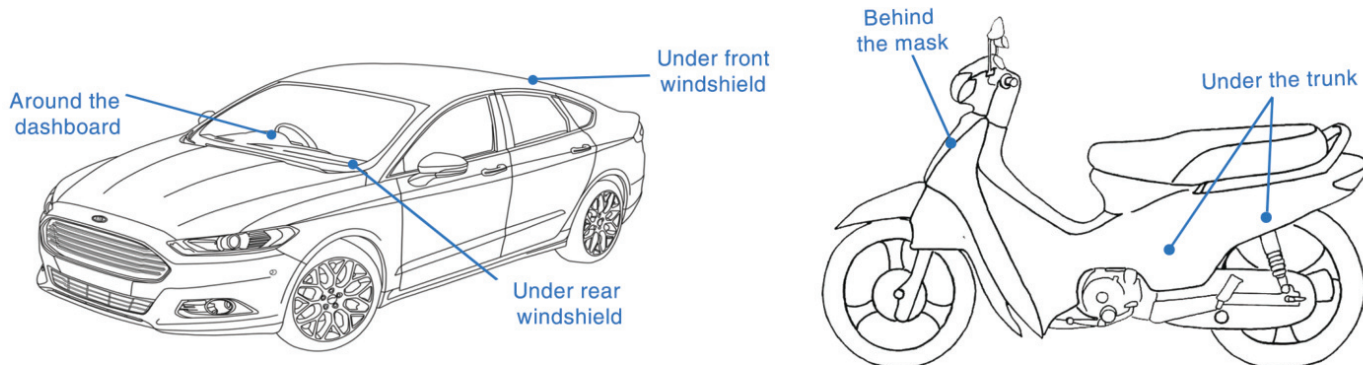
## POWER CORD SIGNAL PORT & RELAY

Port	Battery	Color	Detailed Description	Integrated Power Cord RELAY
Port A (4P)	ACC_IN	White	A signal wire after the lock (with electricity when the car key is turned on) connected to the foot of the serial Jack head connected to the end on the lock wire (next to the lock)	
	ACC_OUT	Green	The output power cord for the vehicle to operate and connects to the pin of the other end the serial jack connects to the bottom end of the lock wire.	
	VDC_IN	Red	Connect to positive voltage 12/24VDC	
	GND	Black	Connect to Mass	

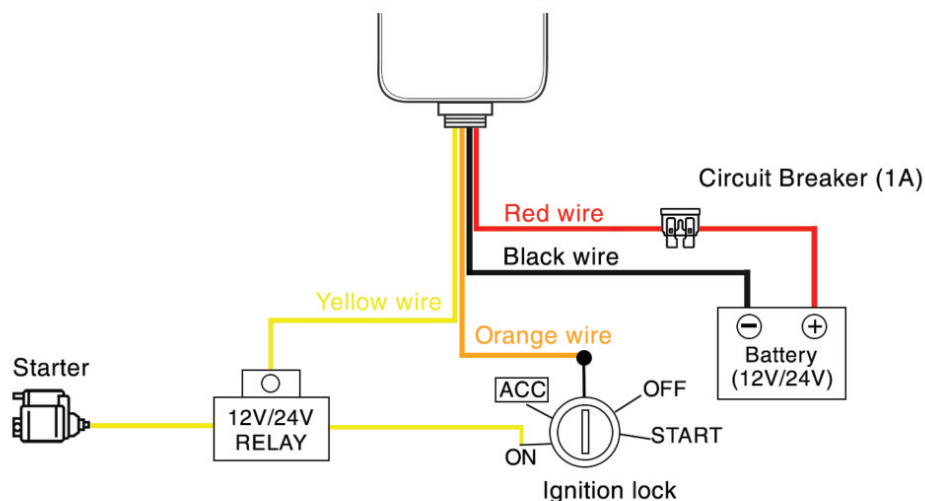
# INSTALLATION INSTRUCTIONS

## INSTALLATION LOCATION

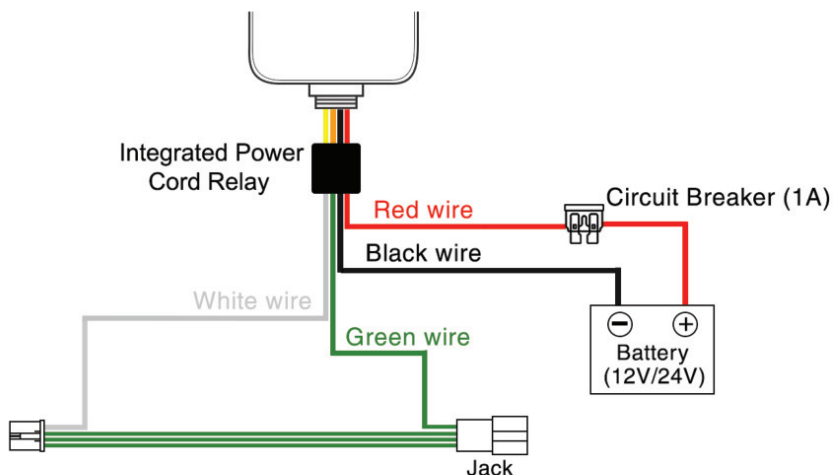
For motorbike should prioritize the installation of G400 behind masks, storage niches. For car, installations should be around the front dashboard near windscreen or near rear windscreen.



## INSTALLATION OF G400 SET WITH STANDARD POWER CORD



## INSTALLATION OF G400 SET WITH RELAY INTEGRATED POWER CORD



### NOTE:

Each car model has its own type of Jack, so the wire color and connection method will be different.

### SCAN QR CODE

access the G400 link on the Web



SMC GLOBAL TECHNOLOGY DEVELOPMENT AND APPLICATIONS JOINT STOCK COMPANY

024 6328 5050

www.getrack.vn

info@getrack.vn